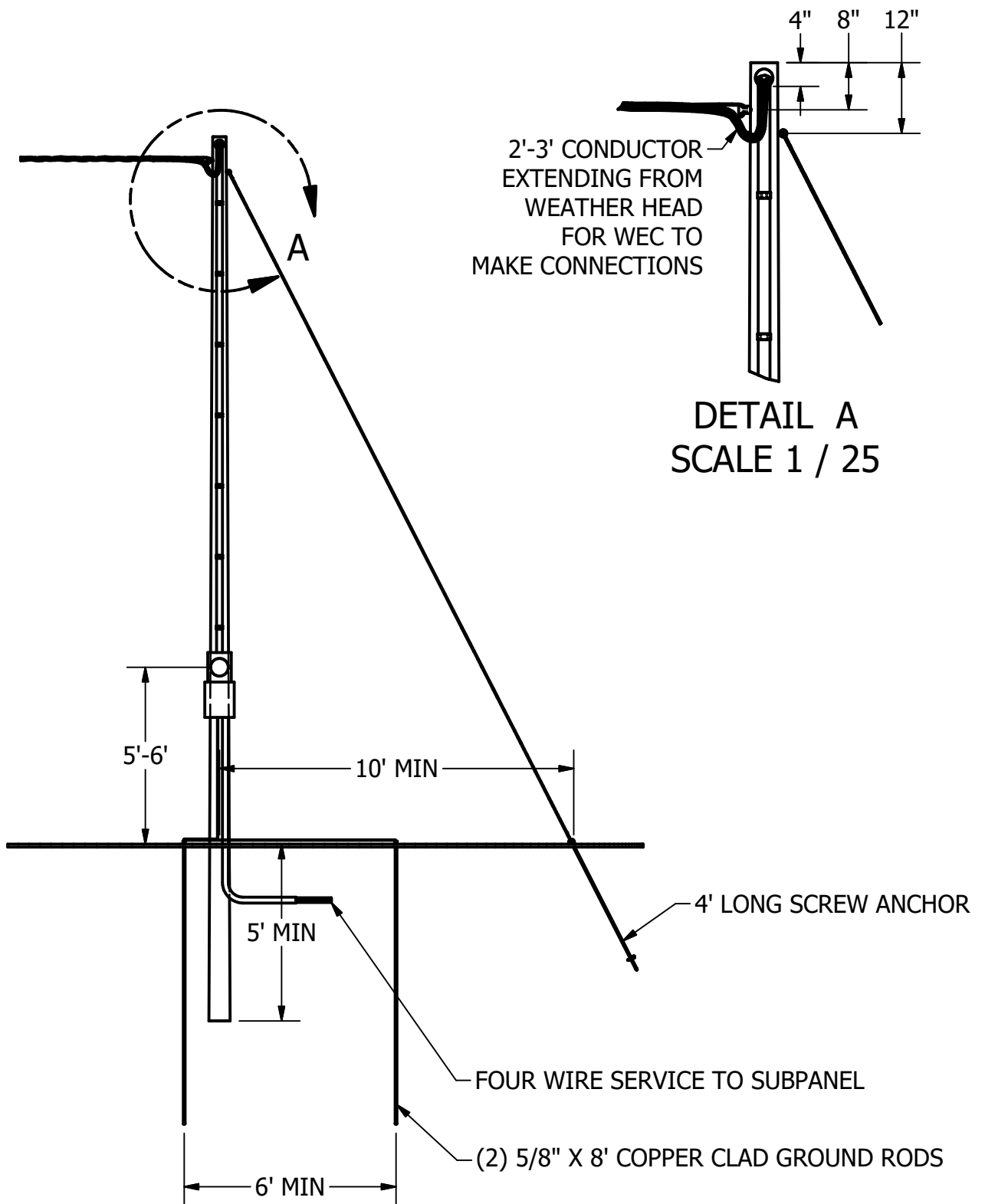


# KNOW WHAT'S BELOW... DIAL 8-1-1 FOR PA ONE CALL



DATE EFFECTIVE:  
2/3/2020



**Warren Electric  
Cooperative, Inc**

320 EAST MAIN ST  
YOUNGVILLE, PA 16371

814-563-7548

TITLE

120/240 VOLT SINGLE PHASE METER POLE UP TO 320 AMP

SIZE  
A

DWG NO

WEC-SVC-POLE

REV  
0

SCALE

1 / 50

SHEET 1 OF 2

**LOCATION**

- A WEC Staking Engineer will determine the location and any additional requirements during an on-site meeting with the member during the design process.
- Services are not permitted within the WEC easement and must be at least 30 feet away from any WEC poles, wires and anchors.
- Service may not cross over propane tanks, oil wells, swimming pools and other obstacles because of safety code requirements.
- Pole may not be closer than 15 feet from structure for access and guying purposes.
- Manufactured housing units shall refer to NEC 550 for additional requirements

ROAD CROSSING	POLE TYPE	MINIMUM HEIGHT
NO	ROUND	25' CLASS 7
YES	ROUND	30' CLASS 6

**PRESSURE TREATED METER POLE**

- Pole shall be set in the ground a minimum of 5ft. No concrete in hole (to prevent rapid decay).
- Pole shall be guyed to support WEC service wires and promote clearances.
- Clearance issues and prevailing conditions will dictate additional pole height requirements.

**GUYING AND ANCHORING**

- Anchor rod shall be a minimum of UL approved, 4ft. screw-type installed no closer than 10 feet from meter pole.
- Guy wire shall be a minimum of ¼ inch and located in-line of service drop on opposite side of pole, 12 inches from pole top

**METER BASE**

- Meter base shall be located between 5ft and 6ft from ground level.
- Meter base shall be a single position, four terminal, and ring-less with a horn or other approved type bypass.
- Meter bases equipped with grounding lugs shall be grounded in accordance to NEC or local inspection authority.
- WEC Recommends using an anti-oxidation grease inside the meter base if using aluminum conductors.

MINIMUM SERVICE AND GROUND CONDUCTOR REQUIREMENTS				
RATING (AMPS)	CONDUIT SIZE MIN	WIRE MATERIAL	LINE/NEUTRAL SIZE	GROUND SIZE
320	3"	COPPER (CU)	250 MCM	#2 AWG CU
320	3"	ALUMINUM (AL)	350 MCM	#2 AWG CU
200	2"	COPPER (CU)	2/0 AWG	#4 AWG CU
200	2"	ALUMINUM (AL)	4/0 AWG	#4 AWG CU
100	2"	COPPER (CU)	#4 AWG	#6 AWG CU
100	2"	ALUMINUM (AL)	#2 AWG	#6 AWG CU

All service conductors shall have insulation suitable for the applied voltage but, in any case, not less than 600 volts and sized to rated load of meter base.

**WEATHER HEAD**

- 3 wire rain-tight weather head properly sized and rated shall be installed 4 inches from pole top.
- Service clevis properly sized and rated shall be installed 8 inches from pole top.
- Member/Contractor shall leave 2 to 3 feet of wire from weather head for WEC to make connections.

**CONDUIT**


- Galvanized rigid metal conduit or equivalent per current NEC code.
- Conduit shall extend from weatherhead to meter base, meter base to disconnect, and from disconnect to 24 inches below grade.

**DISCONNECT OPTIONS AND OTHER SERVICE EQUIPMENT REQUIREMENTS (NEC 230)**

- All meter poles served by WEC shall have a service disconnecting means under the meter base.
- Disconnect shall be appropriately sized (main breaker or K1 fuses rated for 10,000 Amperes)
- Weather-Tight connectors and fittings shall be used between equipment and components.
- All equipment (meter base, disconnect, etc) shall have all knock-outs, doors, and covers in place to limit access to energized parts and shall be in good physical and working condition.

**GROUNDING RODS, WIRE, AND CONNECTORS (NEC 250)**

- Meter socket shall be grounded in accordance to NEC and local inspection authority requirements
- Any service connected to WEC shall have two (2) 5/8 in. x 8ft. copper clad ground rods or equivalent per current NEC code, located 6ft. apart
- Ground rod clamps shall be suitable for direct burial and/or exothermic welding.
- Ground wires shall extend unbroken or uncut from grounding lug of disconnect to each rod.
- Ground wires shall be secured to pole and/or protected from damage with ½ inch electrical conduit.

DATE EFFECTIVE: 2/3/2020		TITLE 120/240 VOLT SINGLE PHASE METER POLE UP TO 320 AMP DETAILED SPECIFICATIONS	
 <p><b>Warren Electric Cooperative, Inc</b></p> <p>320 EAST MAIN ST      814-563-7548 YOUNGVILLE, PA 16371</p>	SIZE A	DWG NO WEC-SVC-POLE	REV 0
	SCALE		SHEET 2 OF 2