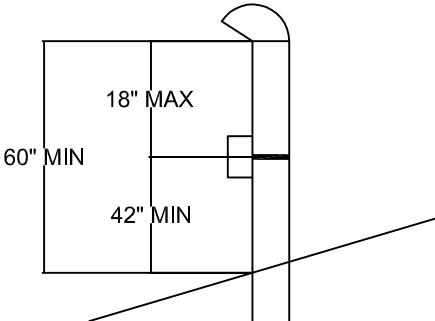


WEC SERVICE WIRES CROSSING MORE THAN 6 FEET OF ROOF LINE AND/OR MAST MORE THAN 4 FEET FROM EDGE OF ROOF

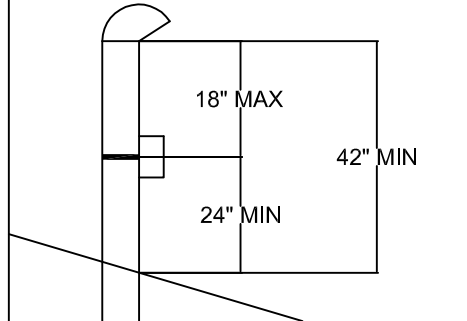
36 INCHES MINIMUM CLEARANCE ABOVE ROOF INCLUDING SERVICE WIRES AND DRIP LOOP



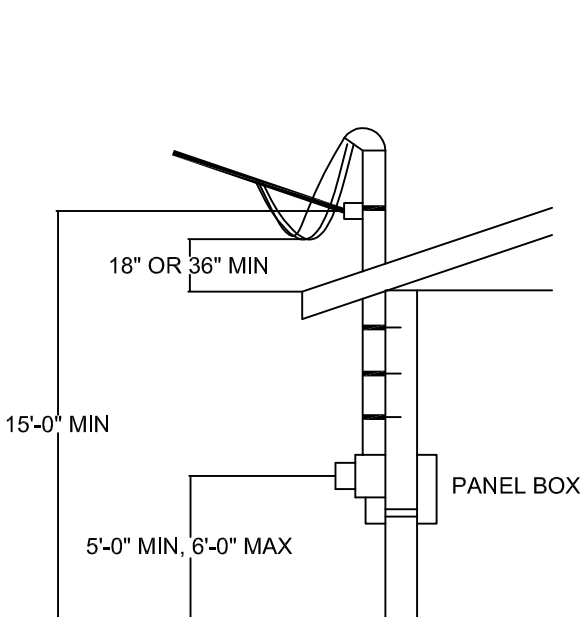
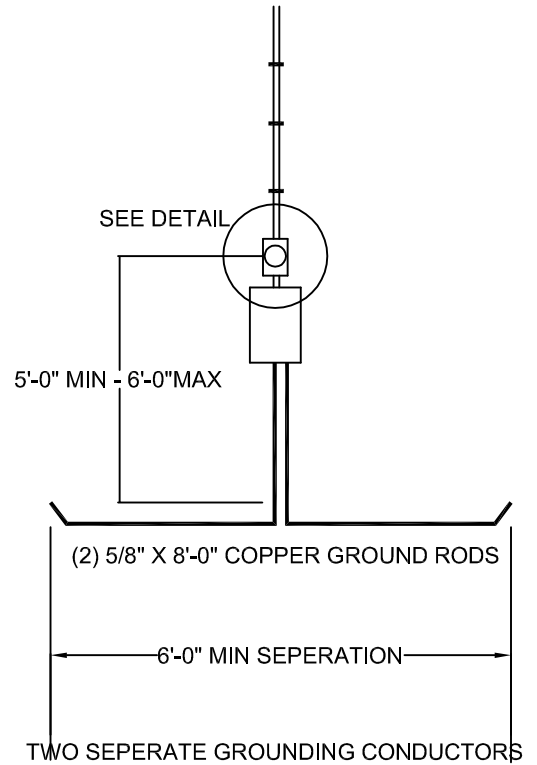
3 INCH GALVANIZED RIGID MINIMUM GUYING REQUIRED OVER 60 INCHES

WEC SERVICE WIRES CROSSING LESS THAN 6 FEET OF ROOF LINE AND MAST LESS THAN 4 FEET FROM EDGE OF ROOF

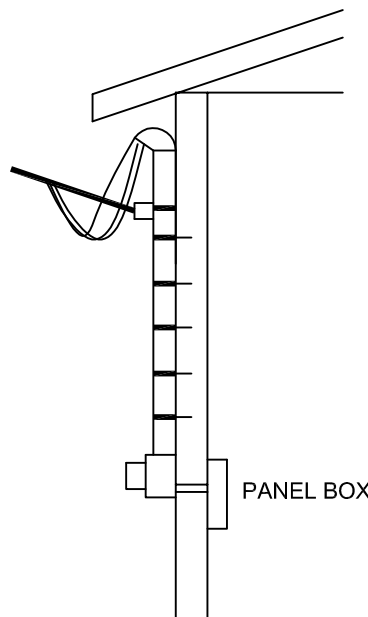
18 INCHES MINIMUM CLEARANCE ABOVE ROOF INCLUDING SERVICE WIRES AND DRIP LOOP



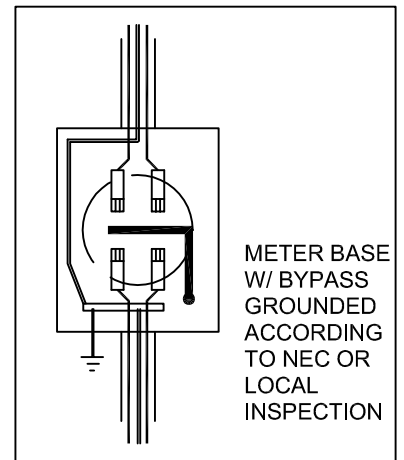
2 INCH GALVANIZED RIGID MINIMUM GUYING REQUIRED OVER 42 INCHES



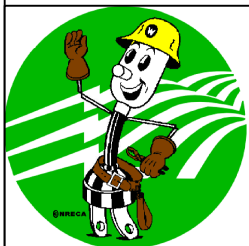
SHOWN WITH OPTIONAL OUTSIDE DISCONNECT



UNDER- EAVE / SIDE OF BUILDING MOUNT REFER TO NEC 230.9



DETAILED SPECIFICATION SHEET LOCATED ON BACK



**Warren Electric  
Cooperative, Inc**

**120/240V SINGLE PHASE  
PIPE MAST UP TO 200 AMPS  
FOR NEW AND REPLACEMENT  
SERVICES AFTER JUNE 7, 2010**

320 EAST MAIN STREET YOUNGSVILLE, PA 16371 (814) 563-7548